

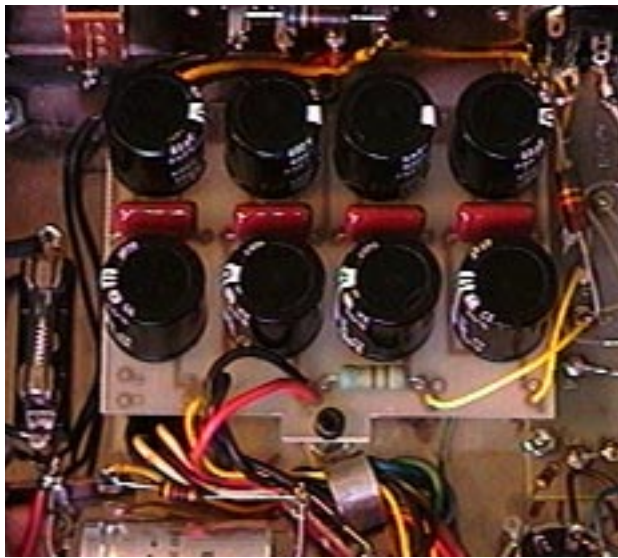
# SDS Labs

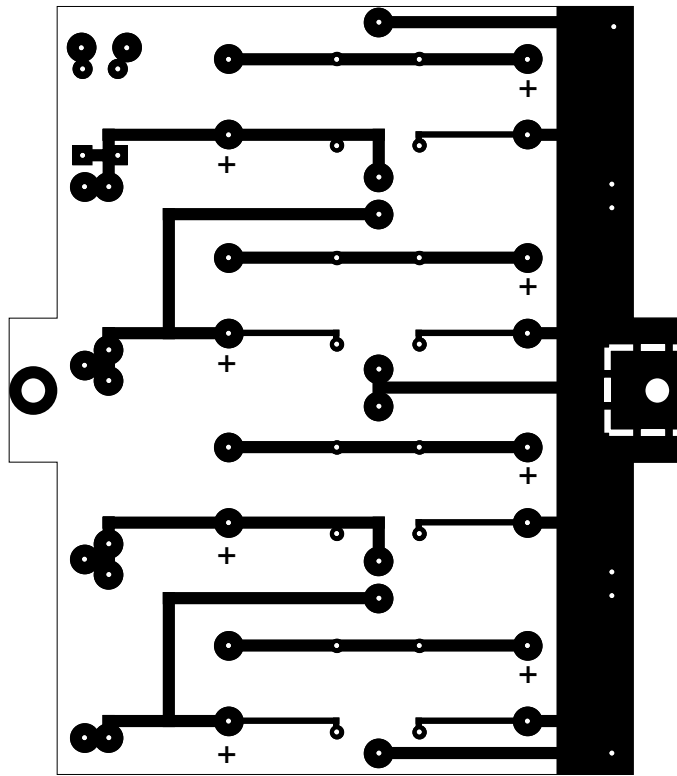
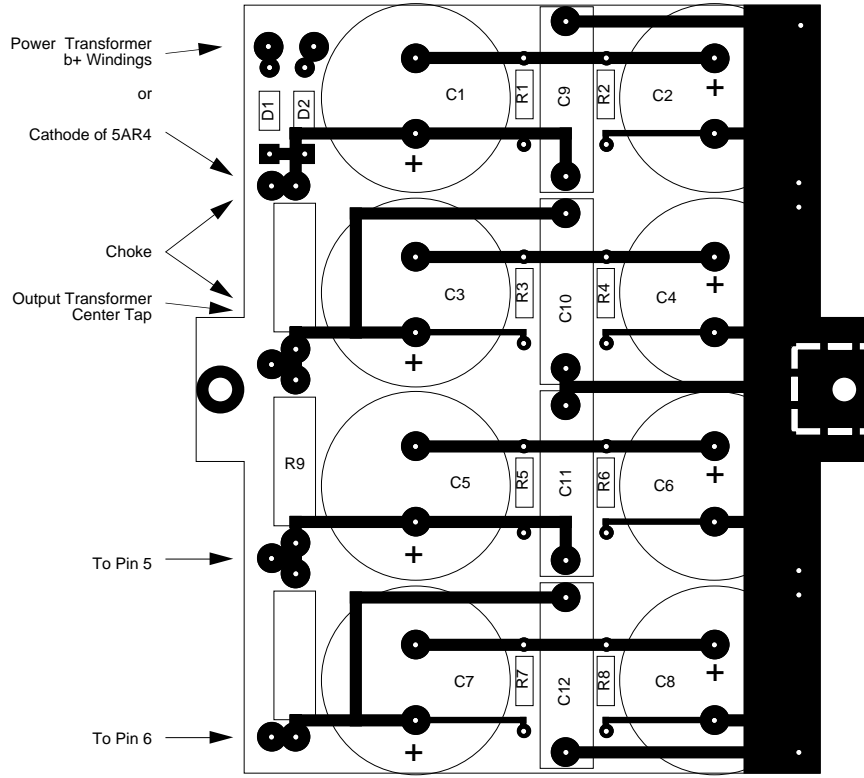
## Dynaco MKIII

### Quad Cap Replacement Board

January 25, 1998

Version 1.0





**SDS Labs**  
 Dyna MKIII Capacitor Boards

Design by  
 Sheldon D. Stokes  
 stokes@exis.net  
<http://www.clarkson.edu/~stokes>

MKIII Power board parts

Part Number	Description	Manufacturer	Digikey #	Price
C1	82 $\mu$ F 400v Electrolytic Cap	Panasonic	P6139-ND	\$ 3.27
C2	82 $\mu$ F 400v Electrolytic Cap	Panasonic	P6139-ND	\$ 3.27
C3	68 $\mu$ F 400v Electrolytic Cap	Panasonic	P6137-ND	\$ 3.04
C4	68 $\mu$ F 400v Electrolytic Cap	Panasonic	P6137-ND	\$ 3.04
C5	68 $\mu$ F 400v Electrolytic Cap	Panasonic	P6137-ND	\$ 3.04
C6	68 $\mu$ F 400v Electrolytic Cap	Panasonic	P6137-ND	\$ 3.04
C7	68 $\mu$ F 400v Electrolytic Cap	Panasonic	P6137-ND	\$ 3.04
C8	68 $\mu$ F 400v Electrolytic Cap	Panasonic	P6137-ND	\$ 3.04
C9	0.018 $\mu$ F 630v Polyprop Cap	Panasonic	P3512-ND	\$ 0.54
C10	0.018 $\mu$ F 630v Polyprop Cap	Panasonic	P3512-ND	\$ 0.54
C11	0.018 $\mu$ F 630v Polyprop Cap	Panasonic	P3512-ND	\$ 0.54
C12	0.018 $\mu$ F 630v Polyprop Cap	Panasonic	P3512-ND	\$ 0.54
D1 *	1N4007 Diode	General Inst.	1N4007GICT-ND	\$ 0.06
D2 *	1N4007 Diode	General Inst.	1N4007GICT-ND	\$ 0.06
R1	330 K $\Omega$ 1/2 Watt Resistor	Yageo	330KH-ND	\$ 0.05
R2	330 K $\Omega$ 1/2 Watt Resistor	Yageo	330KH-ND	\$ 0.05
R3	330 K $\Omega$ 1/2 Watt Resistor	Yageo	330KH-ND	\$ 0.05
R4	330 K $\Omega$ 1/2 Watt Resistor	Yageo	330KH-ND	\$ 0.05
R5	330 K $\Omega$ 1/2 Watt Resistor	Yageo	330KH-ND	\$ 0.05
R6	330 K $\Omega$ 1/2 Watt Resistor	Yageo	330KH-ND	\$ 0.05
R7	330 K $\Omega$ 1/2 Watt Resistor	Yageo	330KH-ND	\$ 0.05
R8	330 K $\Omega$ 1/2 Watt Resistor	Yageo	330KH-ND	\$ 0.05
R9	6.8 K $\Omega$ 2 Watt Resistor	Yageo	P6.8KW-2BK-ND	\$ 0.27
			<b>Total:</b>	<b>\$ 27.73</b>
	<b>Note:</b>			
	D1 & D2 are not necessary if you are using the 5AR4 rectifier tube			