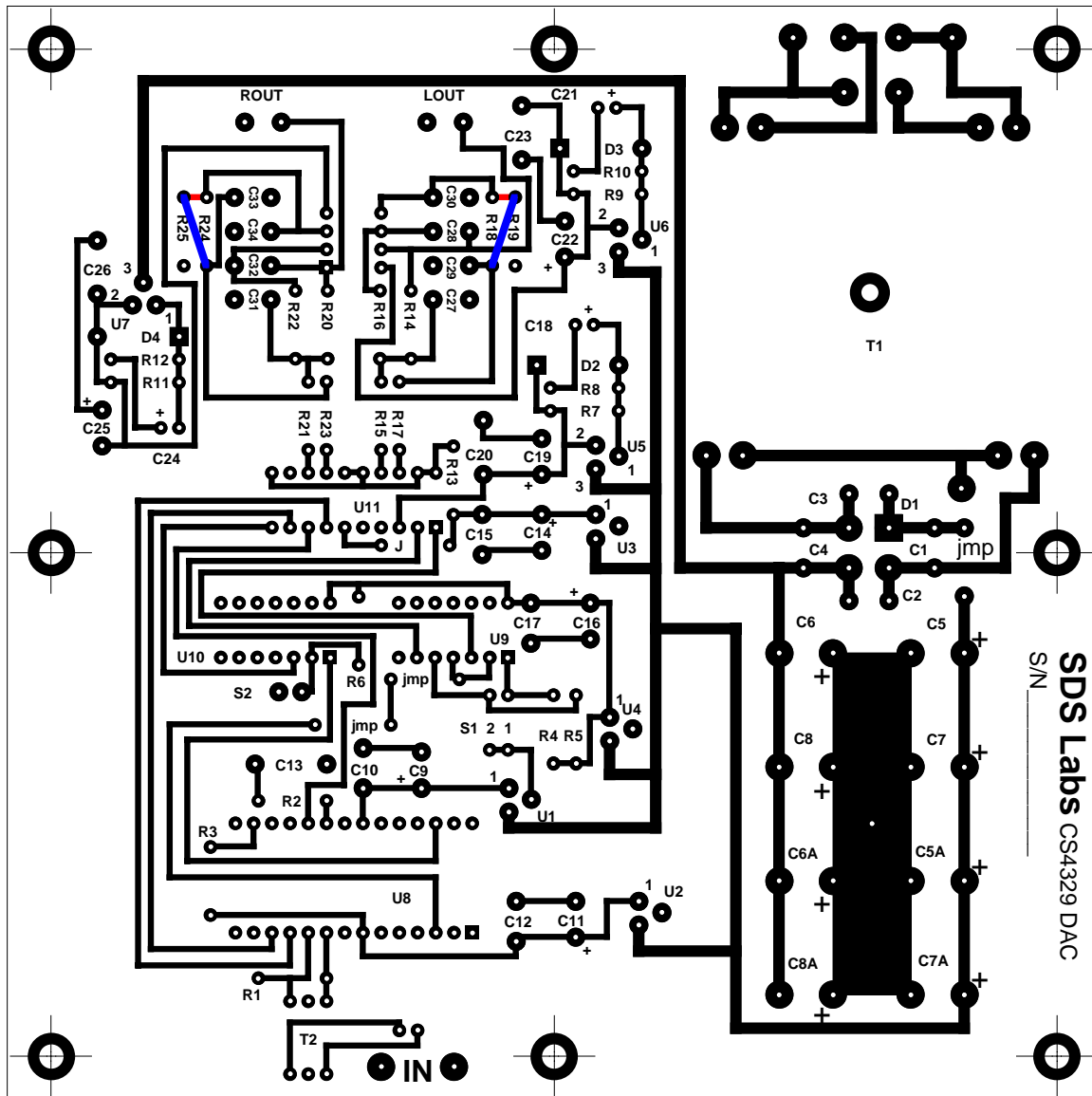


Signal Side



To fix my screwup:

Cut the two red traces between R18 and R19 & between R24 & R25.
Connect R18 to R19 and R24 to R25 as shown in the blue diagonal traces.

Sorry to anyone who built this DAC.